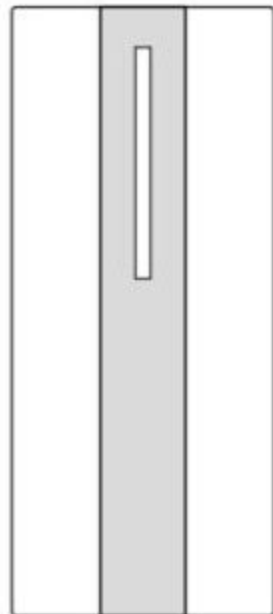


Standalone Access Control

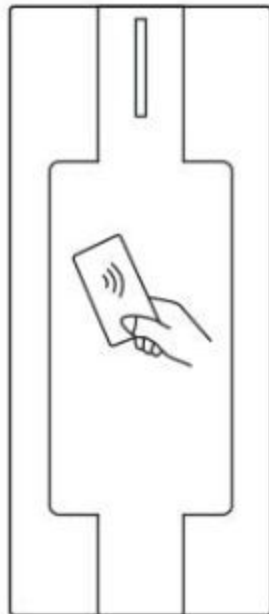
Please read the user manual carefully before installation.

INTRODUCTION

The two series products are contact less proximity card Standalone Access Control, programed by infrared remote control. Material of the housing for WP2 is ABS plastic, and Zinc-alloy for WM4. Anti-vandal design, and equipped with Admin cards.



WP2



WM4

Features and Benefits

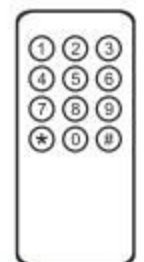
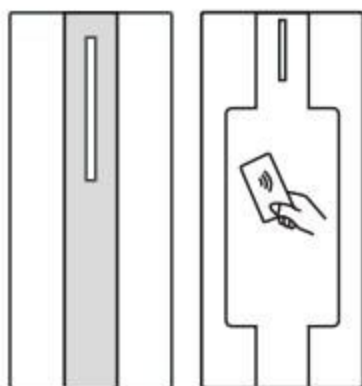
- > Waterproof, conforms to IP67
- > Can add proximity cards sequentially numbered
- > Pulse Mode, Toggle Mode
- > User capacity: 2000
- > Anti-vandal design
- > Admin can add/delete admin cards

Specifications

Operating Voltage	10-24V DC
Working Current	<80mA
Weatherproof	IP67
Read Range	<8cm
User Capacity	2000
Card type	EM Card
Card Frequency	125KHz
Lock Output Load	≤2A
Operating Temperature	-40°C ~ +70°C, (-40°F ~ 158°F)
Operating Humidity	10% ~ 98%RH
Dimensions	L100xW43xH20mm
Unit Weight	WP2: 110g; WM4: 220g
Shipping Weight	WP2: 180g; WM4: 290g

User Manual

Packing List



Infrared Remote Control

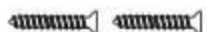


Admin Add Card



Admin Delete Card

Admin Cards



Self Tapping Screws



Wall Anchors



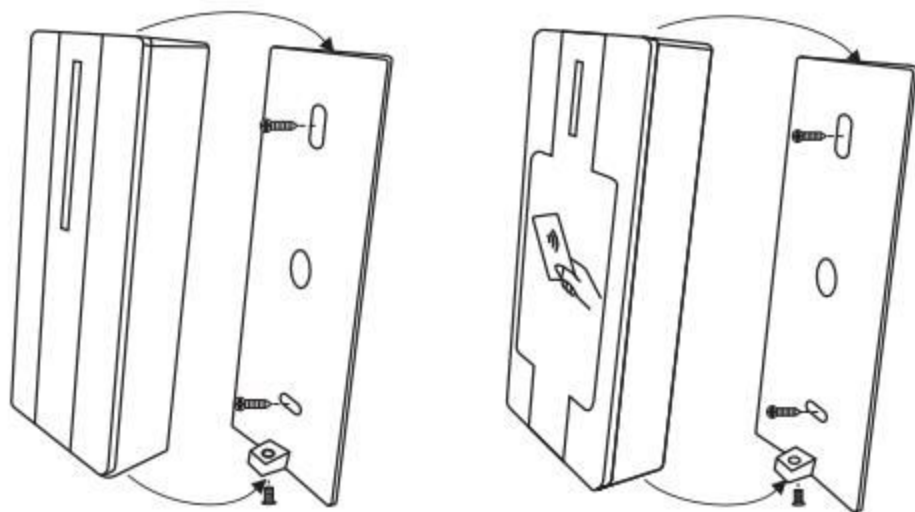
Screw Driver



Diode 1N4004
(For relay circuit protection)

INSTALLATION

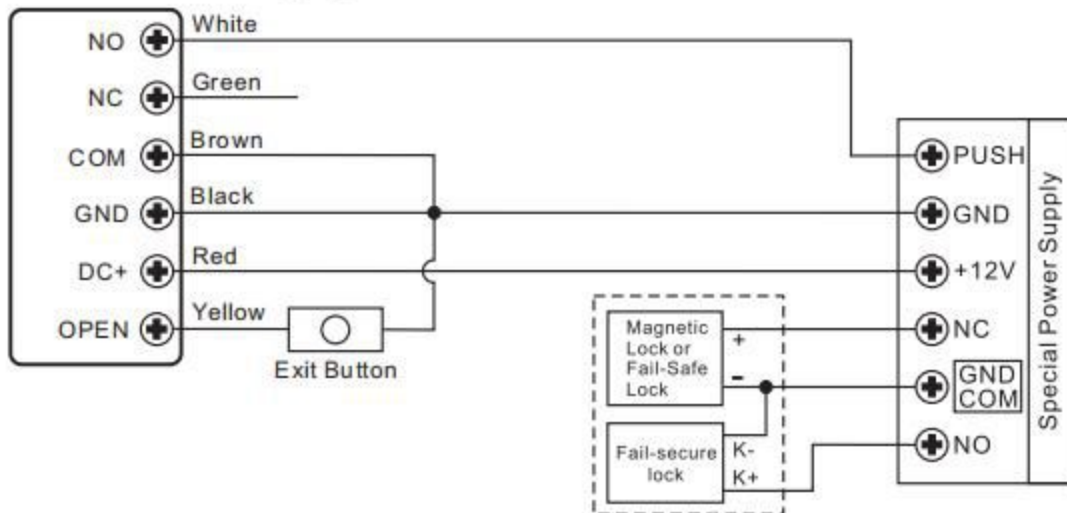
- > Remove the back cover from the unit with screw.
- > Drill hole on the wall according to the back size of the machine or install distributing box well.
- > Thread the cable through cable hole, connect related cable.
For the un-used cable please separate with insulating tape.
- > After wiring, install front casing to the back casing and fix well.



STANDALONE MODE

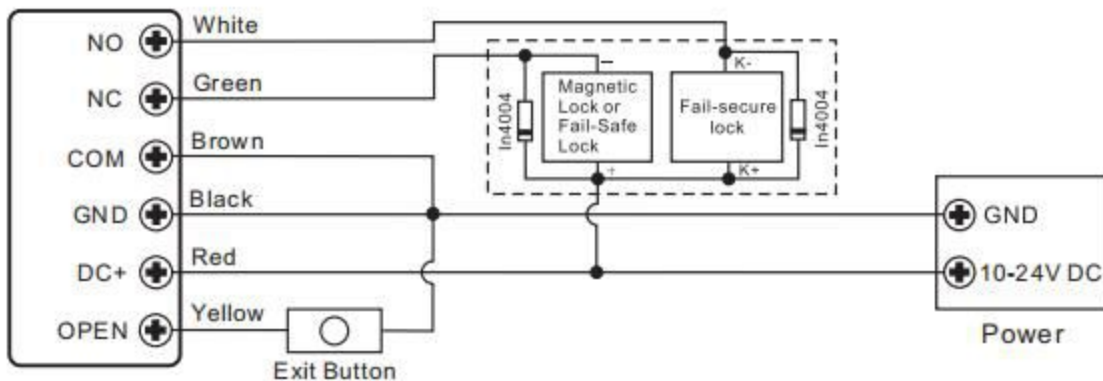
Connection Diagram

Special Power Supply



Universal power supply

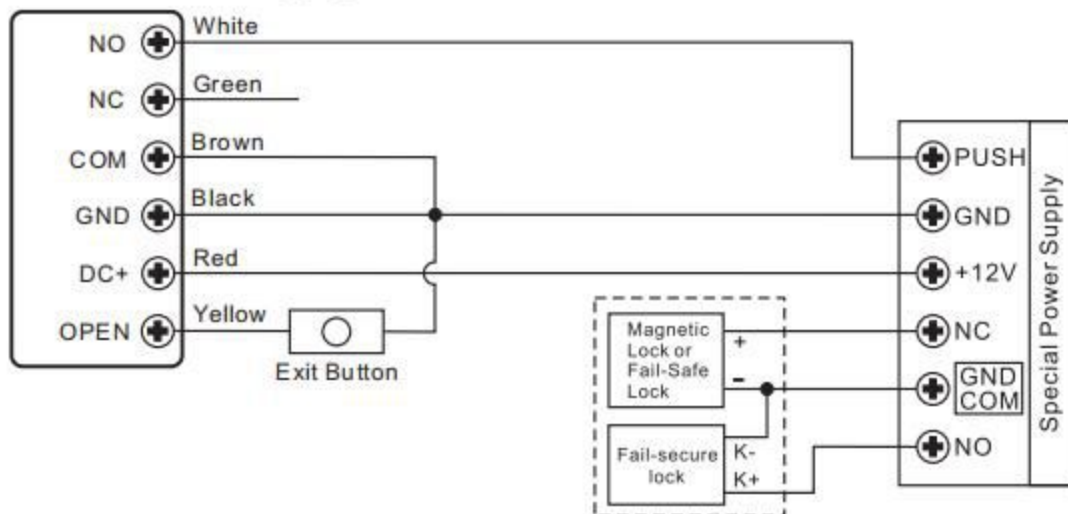
Attention: Install a 1N4004 or equivalent diode is needed when use a common power supply, or the reader might be damaged. (1N4004 is included in the packing).



STANDALONE MODE

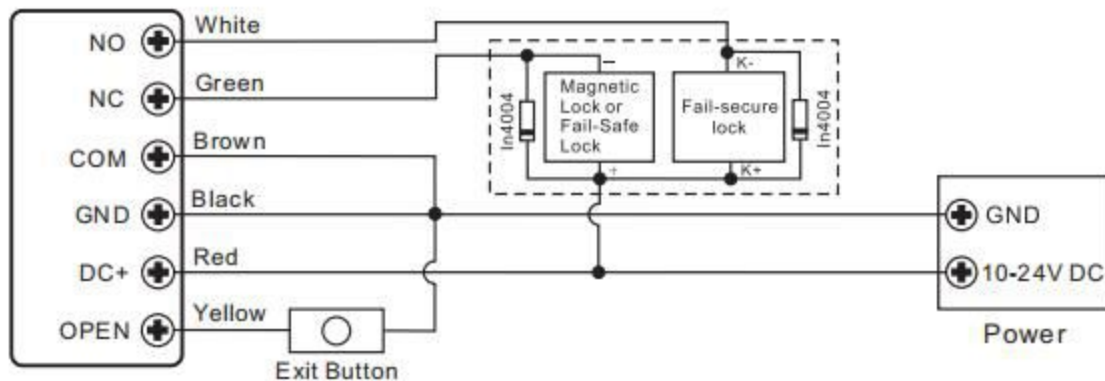
Connection Diagram

Special Power Supply



Universal power supply

Attention: Install a 1N4004 or equivalent diode is needed when use a common power supply, or the reader might be damaged. (1N4004 is included in the packing).



Wiring

Wire Color	Function	Notes
Green	NC	Relay NC
Brown	COM	Relay COM
White	NO	Relay NO
Black	GND	Negative Pole
Red	DC+	10-24V DC Power Input
Yellow	OPEN	Connect to Exit button and the Exit button is connected to GND

Sound and Light Indication

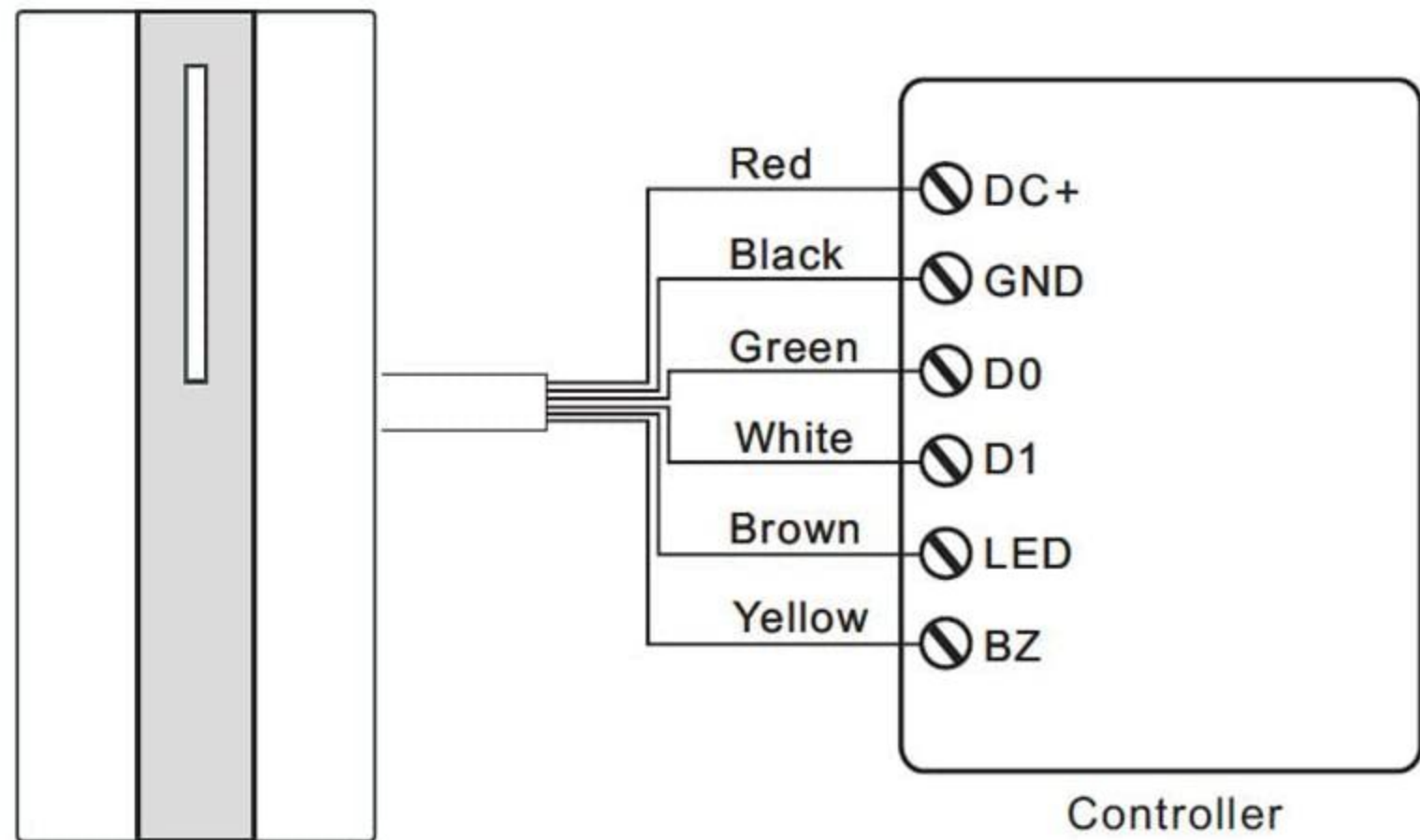
Operation Status	LED	Buzzer
Stand by	Red light bright	--
Enter programming mode	Red light shines	--
In the programming mode	Orange light bright	--
Open lock	Green light bright	One beep
Operation failed	--	3 beeps

Factory Default settings and add admin cards

Power off, press and hold exit button, power on, release it until hear two beeps. Read two cards, the first card is "Admin Add Card", and the second card is "Admin Delete Card", then the device will be in standby mode, resets to factory default setting and adding admin cards are successful.

If you don't need to add admin cards: Power off, press exit button, power on, release it until hear two beeps, and the orange LED turn on. Waiting for ten seconds, there is a beep and it will be in standby mode, resets to factory default setting is successful.

Wiring Diagram



WPR2

Controller